



## SP-4C

Sample weight checker for tablets and capsules

Our SP-4C tablet and capsule weight sampler is an effective and compact unit used for recording and analysing the weight of samples taken from a production line. It has the capability of checking tablets and capsules of a variety of shapes and sizes and offers an accuracy of +/- 0.5mg.

The SP-4C eliminates the need for time consuming manual weighing and recording. The operator simply places the sample into the unit, it weighs the required number and delivers accurate printed results including mean weight, individual weights and a PASS/FAIL verdict, if required.

The unit can be located in a production booth or positioned centrally in a QC area where it can monitor up to 10 lines simultaneously.

### KEY FEATURES

- Quick and easy to use
- Checks both tablets and capsules
- Handles different shapes and sizes
- Provides accurate printed results
- Accuracy, +/- 0.5mg



### NEW

- Touch screen
- Improved user interface
- Real time display of data

# SP-4C

Sample weight checker for tablets and capsules

## KEY OPERATIONAL BENEFITS

**Save time and resources** — Just load, start, and the sample results are delivered automatically.

**Flexibility** The SP-4C can handle tablets, capsules in a range of shapes and sizes. Sample quantities are also adjustable in line with your needs and any excess items can be automatically flushed.

**Versatile limit settings** — We include a range of default limits including industry standard pharmacopoeia A&B. You can also create your own T1, T2, T3 limits if required.

**Product library** — Store the name, code and target weight of up to 150 of your products.

**Robust GMP design** — Simple to set up and operate the unit can also be easily dismantled for cleaning.

**Data transfer options** — You can print reports via local or network printer. With the SP Connect option data can be automatically transferred to a PC.

## ACCURATE PRINTED RESULTS

Benefit your analysis and decision making with comprehensive sample and batch reports:

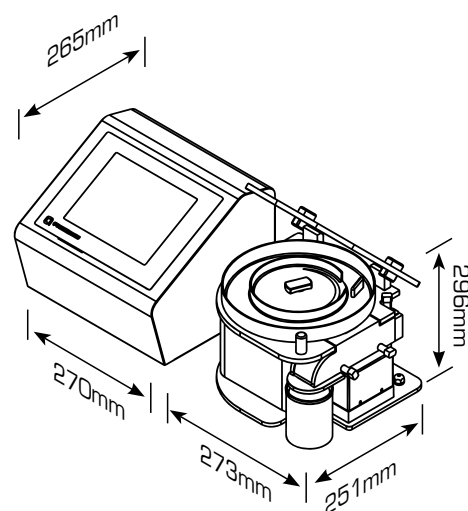
**Sample Reports** — include a list of the individual weights and a mean weight, SD and CV of the sample as a whole.

**Sample Verdict Option** — reports can include a PASS or FAIL status.

**Batch Summaries** — the results of each sample are accumulated and a detailed Batch Summary can be printed at any time.

## TECHNICAL DETAILS

Weight Range	0 - 2 g
Readability	0.1 mg
Reproducibility	+/- 0.5mg
Taring	Automatic Zero
Sample Size	Up to 1000
Stored Product Names	Up to 150
No. of Production Lines Monitored	Up to 10
Printer	A4/Letter plain paper PCL3 compatible USB printer or Epson Tally Roll Printer (Epson TM U220 (Model M188B) Power Supply and Serial Interface)
Dimensions (mm)	See Diagram
Voltage & Frequency	110/240 volts AC, 50/60 Hz
Air Supply	3-5 bar or 43-73PSI



Brunel Road, Churchfields  
Salisbury, Wiltshire  
SP2 7PX United Kingdom

T +44 (0)1722 424100  
F +44 (0)1722 323222  
E sales@ciprecision.com

[www.ciprecision.com](http://www.ciprecision.com)