

OYSTER™ COMPACT SYSTEM



The Oyster Compact System is a complete range of valves for powder handling applications in the Food, Pharmaceutical and Fine Chemical industries.

No other valve on the market can match the design features of these finely engineered valves.

- The unique Clamshell™ clamp design ensures that strip-down and re-assembly are significantly easier and quicker than competitor valves
- Valve body components are machined from solid wherever possible to prevent ovalisation due to welding. Unlike competing valves there are no cast components in product contact so as to avoid porosity
- Ingenious body design reduces overall dimensions and weight compared to competing products
- Optimized seal parameters reduce opening torque while ensuring tight closure
- Clean design and high quality mirror polished internal finish minimizes possibility for product to accumulate. Choice of body and seal materials mean that the valve can be specified in a vast range of applications

OYSTER™ COMPACT SYSTEM



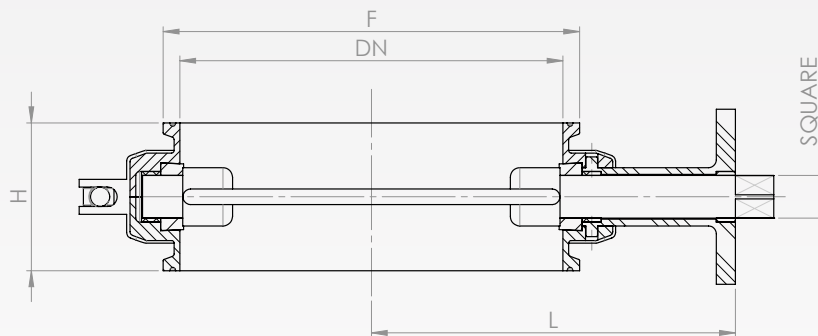
KEY DIMENSIONS:

(Dimensions in mm)

Nominal size DN	100	150	200	250	300
F*	4"	6"	8"	10"	12"
L	140	165	190	215	240
H	76	76	76	76	76
SQUARE	17x17	17x17	17x17	17x17	17x17
Weight - Kg (Lb)	5.2 (11.5)	7.3 (16.1)	9.8 (21.6)	12.5 (27.6)	15.3 (33.7)

* TC specification is ASME/BPE unless otherwise specified. A full range of tri-clover types can be supplied.

The compact dimensions, tri-clover fitting as standard and reduced weight of the Compact series valve make it ideal for installation in the most demanding of Pharmaceutical, Food and Fine Chemical Industry applications.



OTHER OPERATING INFORMATION:

Opening/Closing torque - Nm (Lb-ft)

Nominal size DN	DN100	DN150	DN200	DN250	DN300
Silicone seal	25 (18)	30 (22)	40 (29)	50 (37)	90 (66)
PTFE-Lined	-	36 (27)	50 (37)	60 (44)	100 (74)
Other materials	30 (22)	42 (31)	60 (44)	70 (52)	110 (81)

The valve operates at a low torque compared to competitor products which means that it is easier to operate especially in confined spaces, or that it can be operated by smaller, lighter and cheaper actuators with lower air requirements. The reduced torque reduces wear and tear on the valve, the actuator and the installation as a whole.



INSTALLATION ZONE:

Working pressure	
In/Out	0.5 bar (7.3 psi)
Upstr./downstream*	Powder tight
Temperature	
Manual	-30°/+90°C (-22°/194°F)
Actuated	-20°/+80°C (-10°/176°F)

* Pressure tested valves can be supplied on request depending on seal material and process conditions.

OYSTER™ COMPACT SYSTEM

OPTIONS FOR OPERATION:

Manual operation		Automatic operation		
Standard:	Handlever with locking pin	Actuator types:	Double acting Rack & pinion Pneumatic	
Orientation:	0-90°		Spring return Rack & pinion Pneumatic	
	45-45°	Electric actuator		
Options:	Full stainless steel lever	Materials:	Anodised aluminium, St/St	
	Customised orientation		Options:	Solenoid valve
	Lockable			Position sensors, limit switches
	Position sensor			4-20 mA positioner for proportional control
	Push & turn lever			Full st/st enclosure
	Multi-position stops			Quick release Actuator support
	ATEX:	Certification available on request: II 2GD c IIB T4/T135°C		
	Air supply:	Min 5bar (75 psi)/max 10bar (150psi)		
		Dry, unlubricated.		

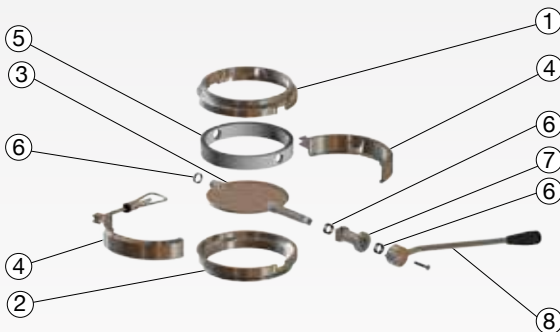
All Oyster Compact valves are suitable for a full range of methods of operation/automation.



All materials used in the construction of the Oyster Compact series valve are fully compliant with the requirements of the FDA, EN1935/2004 and cGMP. Product contact surfaces are mirror polished to the highest pharmaceutical standards.

Silicone seals are in addition, USP Class VI certified.

Full documentation is available for every valve, on request.



PARTS LIST AND MATERIALS

Ref	Part Name	Material options
1	Halfbody 1	AISI 316L (EN 1.4404), C-22
2	Halfbody 2	AISI 316L (EN 1.4404), C-22
3	Leaf	AISI 316L (EN 1.4404), C-22
4	Clamshell clamp	AISI 304 (EN 1.4301)
5	Gasket*	Silicone, EPDM, PTFE-lined, FFKM/MFKM
6	Bushings	PTFE, PEEK
7	Lever/actuator support	AISI 304 (EN 1.4301)
8	Lever	AISI 304 (EN 1.4301)

* Material in compliance with FDA §177,2600

AVAILABILITY OF SEAL MATERIALS:

	DN100	DN150	DN200	DN250	DN300
Silicone FDA, USP Class VI	YES	YES	YES	YES	YES
EPDM White FDA	YES	YES	YES	YES	YES
PTFE-Lined	NO	YES	YES	YES	YES
MFKM	NO	NO	NO	YES	NO
FFKM	NO	YES	YES	NO	NO

A range of seal materials is available to adapt the valve to the most stringent operating conditions.

Above all the valve is designed to be user friendly and easy to maintain, to ensure a long and profitable service lifetime.

OYSTER™ COMPACT SYSTEM

The Oyster compact Series valve is a modular system in which the same basic valve can be supplied as:

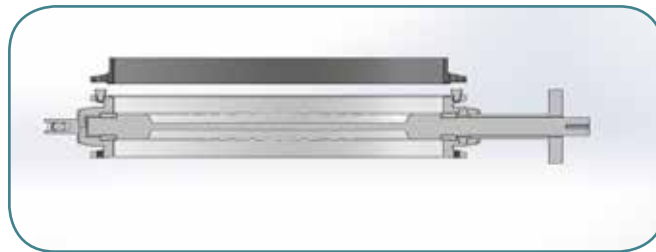
- General purpose butterfly valve
- Flowmaster dosing valve
- Flexible valve for handling tablets without damage



Oyster Flowmaster Dosing valve



Oyster Compact Tablet valve



OYSTER COMPACT MOUNTING COLLAR



Where it is required to fit a valve underneath a machine or hopper, even with Tri-clamps, this can be a tricky operation requiring more than one person.

For this reason we have perfected the Oyster Mounting Collar bayonet system.

This is recommended for valves of 10" and over and enables this awkward 2 or 3 person job to be accomplished easily by a single operator.

The Compact Mounting Collar system consists of a proprietary welding ferrule with machined slots which is welded in place on the outlet. The valve in this case is fitted with locating pins which engage in the slots so that as the valve is turned through a few degrees, the valve is held in position against the ferrule in such a way that the operator's hands are freed to enable him to fit the clamp to secure the valve in position. An O-ring ensures tightness at the join.

Removing the valve is also easier and above all safer as it is now a two stage process.

ValvEngineering Srl

Via di Coselli 23/25 – 55012 Capannori - LUCCA - Italy

• TEL +39 0583 378587 • FAX+39 0583 1553006

• P.IVA IT02090150463

WEB: www.valvengineering.com MAIL: info@valvengineering.com

DISTRIBUTED BY: